

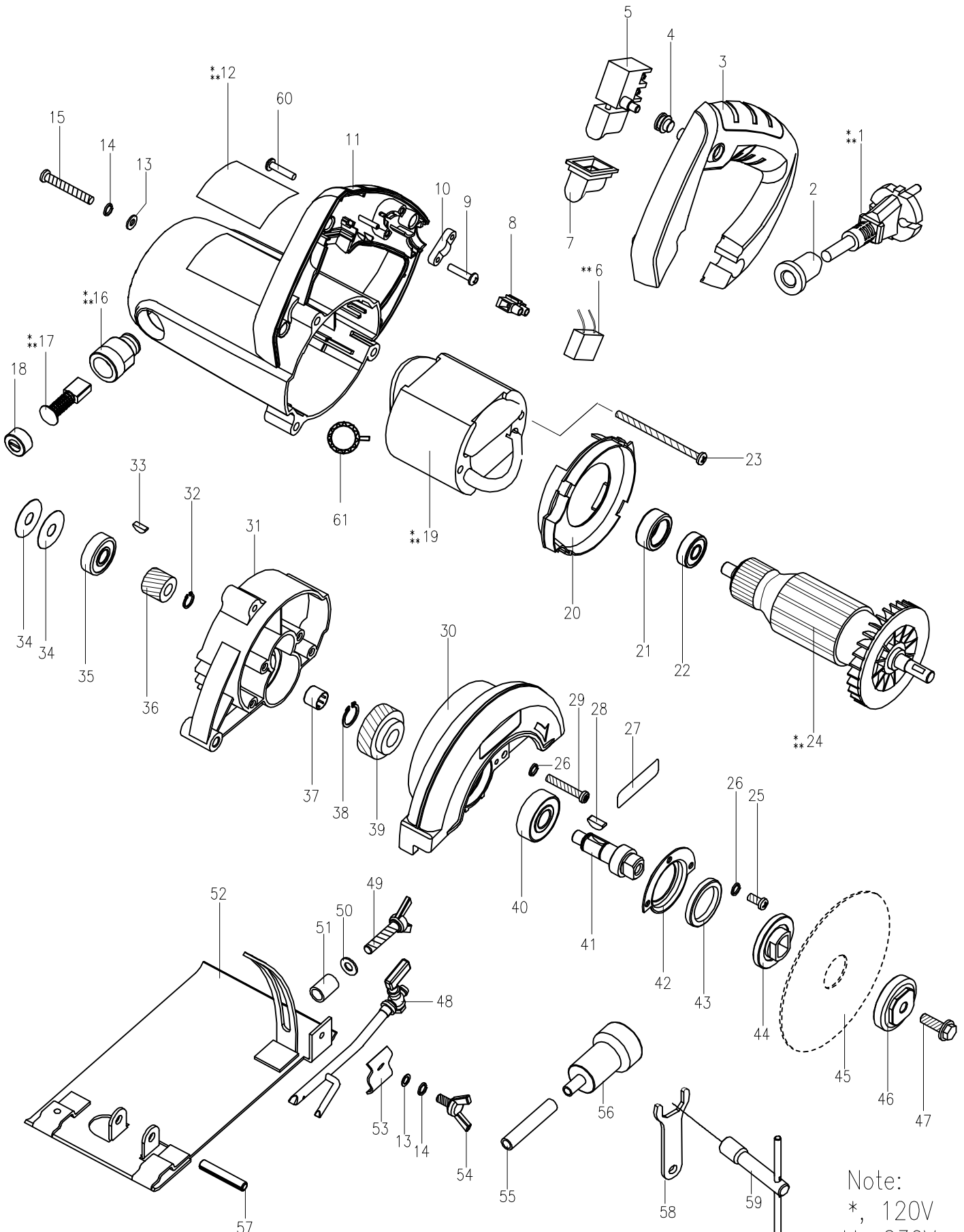
CROWN

Marble saw

120V/230 V

015081

VERSION: A DATE:20010.6



Note:
*, 120V
**, 230V