

CROWN

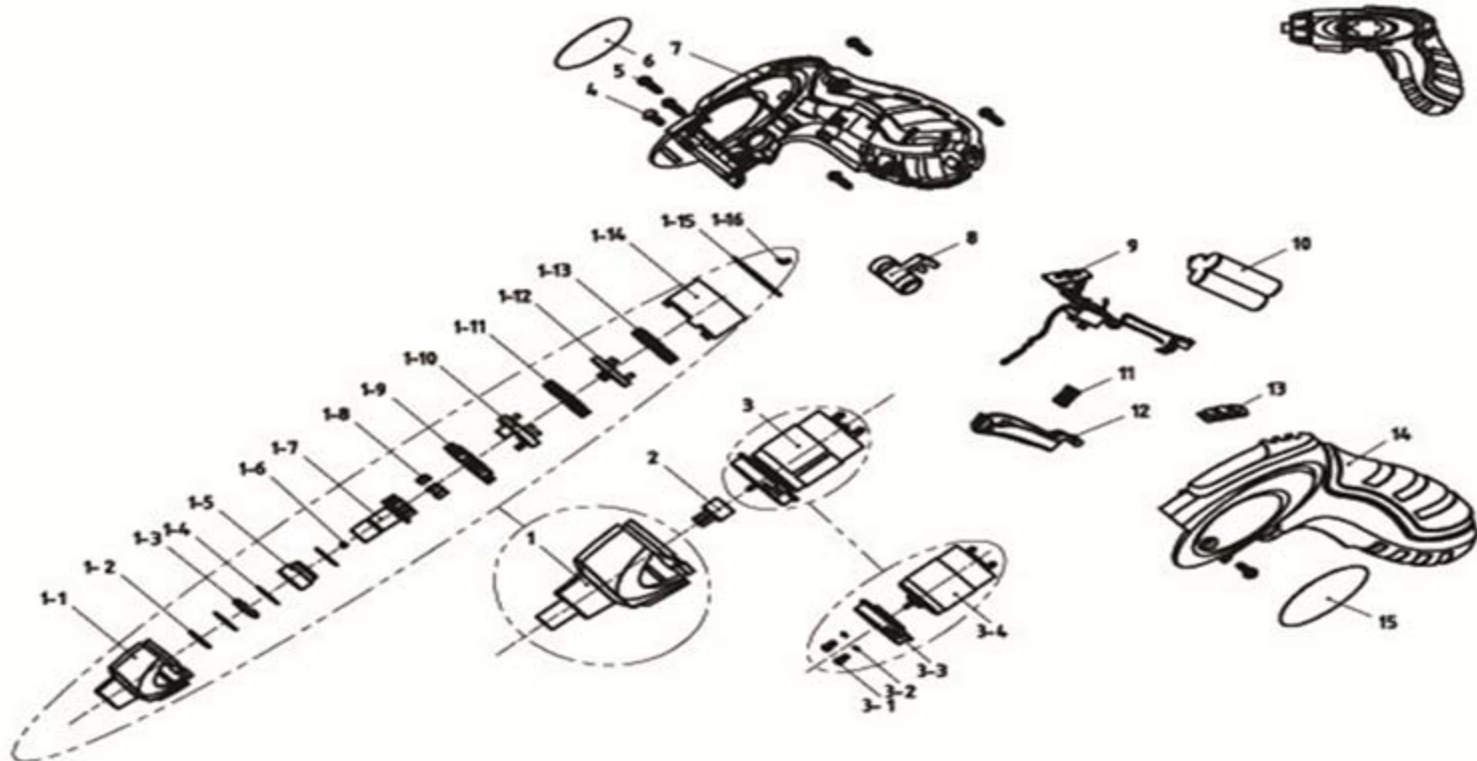
Screw Driver

CT22002

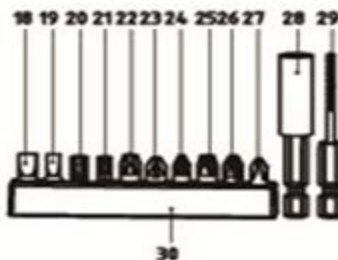
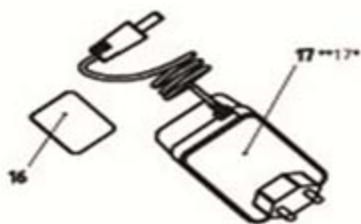
3.6V

VERSION: A

DATE:2012.02



Accessories:



**-230V
*-120V